

The Bi-Polar® 2400 BMS cold plasma generator installs into almost any air conditioning unit. The negative and positive ions quickly reduce harmful volatile organic compounds (VOCs), particulates, smoke, pollen, dust, mold, bacteria, viruses and static electricity. The Bi-Polar 2400 BMS is highly versatile as it can be installed in almost any system ducted or not. Ceiling mount, wall hung, furnace, & ptac installations. Bi-Polar® 2400 BMS has the highest output of any Bi-Polar Ionizer in its class at 12 Kv and 200,000,000 ions/cm³ at one inch. If not connecting to a BAS system, then you may cap off the brown BMS wires as shown in diagram.

Product Name: Air Oasis Bi-Polar® 2400 BMS

Electrical: 24VAC, 115VAC, 240VAC, 10 WATTS

Model Number: BP2400-24, BP2400-110, BP2400-220

Coverage: Up to 2,400 CFM (6 tons)

Product Dimensions:

- Not Packaged: 2" x 4" x 1.3"
- Packaged: 9" x 6" x 4"

Materials: Polymers

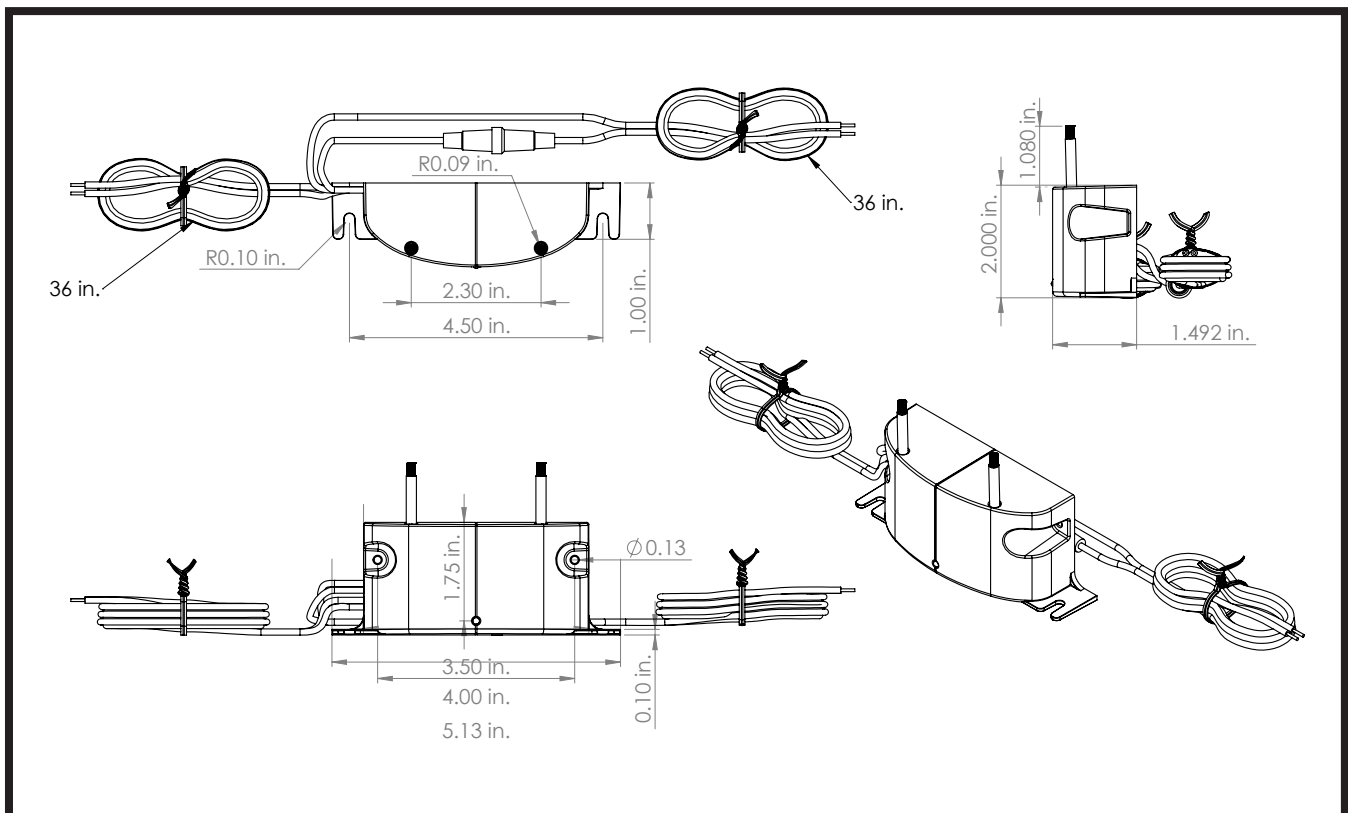
Working Temp: 0°F – 150°F

Weight:

- Not Packaged: 0.25 lbs
- Packaged: 2 lbs

Warranty: 3 year limited warranty

Country of Origin: Made in the USA



*We put the **Quality** in **IAQ***

According to ASHRAE standard 62.2 IAQP, educational facilities may reduce the outside air required by as much as 75%. To meet the standard, a non-ozone producing air purifier is required, such as the Bi-Polar 2400 by Air Oasis. The BP-2400 maximizes ion output of 200,000,000 ions per cubic centimeter without producing ozone.

Benefits:

- Improve indoor air quality
- Reduce energy usage and equipment expense
- Reduce sick days and avoid funding loss
- Enhance educational experience

The BP-2400 is easily installed in PTAC, ceiling mounted, and furnace systems.

Air Oasis has as a very convenient web-based IAQ calculator that meets ASHRAE guidelines. Upon completing the online form, you will receive a professionally produced report. This report can be used for specification and bid purposes or simply to highlight this opportunity with your customers.

