



MADE
IN THE USA



The nano Induct can be installed in less than 15 minutes and requires minimal maintenance. It is capable of connecting to a 110VAC or 240VAC electrical outlet, or it can be hardwired to a 24VAC power supply. Once installed, our HVAC air purifier will immediately set to work reducing carbon-based contaminants in the air like mold, bacteria, viruses, and volatile organic compounds (VOCs) that can cause unpleasant odors. It will continuously clean the air in the building until a replacement AHPCO cell is needed, at which time a blue LED light will advise the owner to make the change. Cells only need to be replaced about once every two years, making the nano Induct the best whole-house air cleaner for those who do not wish to spend a lot of time on upkeep.

Product Name: Air Oasis nano Induct

Model Number: NIND9

Product Dimensions:

- Not Packaged: 5" x 5" x 11"
- Packaged: 13" x 7" x 6"

Weight:

- Not Packaged: 1 lbs
- Packaged: 4 lbs

Electrical: 26 VDC / 24 VAC, 13 Watts

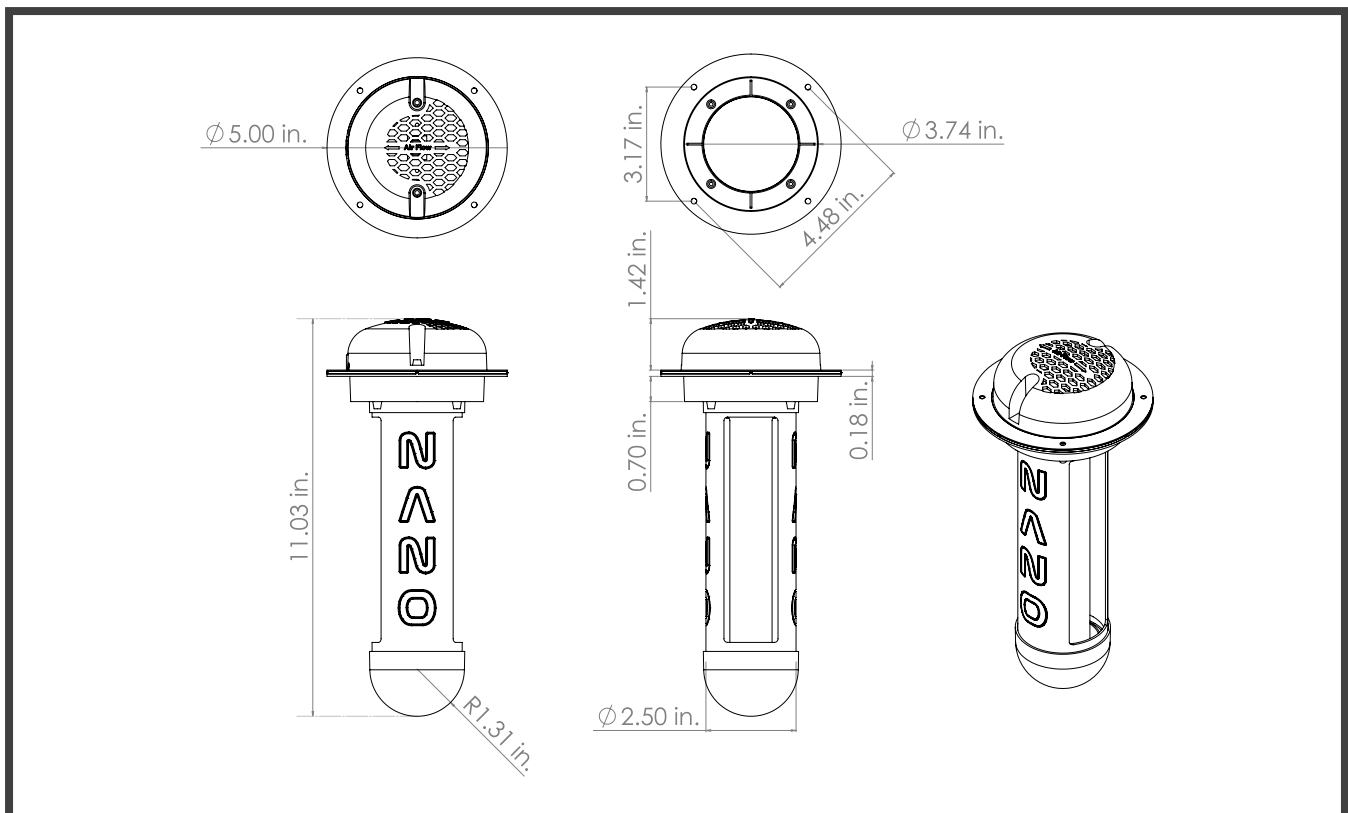
Coverage: 3500 sq. ft.* (* May vary depending on climate zone.)

Materials: Aluminum and polymers

Working Temp: 0°F – 150°F

Warranty: 2 year limited warranty

Country of Origin: Made in the USA



*We put the **Quality** in **IAQ***

According to ASHRAE standard 62.2 IAQP, educational facilities may reduce the outside air required by as much as 75%. To meet the standard, a high tech air purifier is required, such as the nano Induct™ by Air Oasis, which utilizes advanced hydrated photo catalytic oxidation technology. Our air purifiers' superior quality and advanced technology are what set them apart from competing models.

Benefits:

- Improve indoor air quality
- Reduce energy usage and equipment expense
- Reduce sick days and avoid funding loss
- Enhance educational experience

The nano Induct™ can be easily mounted in a standard HVAC (heating, ventilation, and air conditioning) system and can improve the indoor air quality (IAQ) of the whole building.

Air Oasis has as a very convenient web-based IAQ calculator that meets ASHRAE guidelines. Upon completing the on-line form, you will receive a professionally produced report. This report can be used for specification and bid purposes or simply to highlight this opportunity with your customers.

