

# AO AHPCO-5009

Replacement Cell for AO5000  
or AO5000PRO

# Model: AHPCO-5009

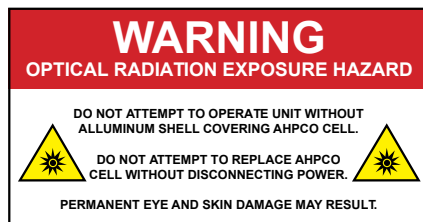
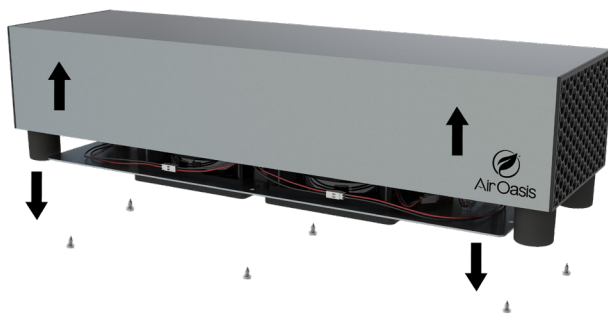
AHPCO-5009-Cell  
Replacement Instructions

**NOTE:** Before you begin please unplug the unit from its power source.

## REQUIRED TOOLS:

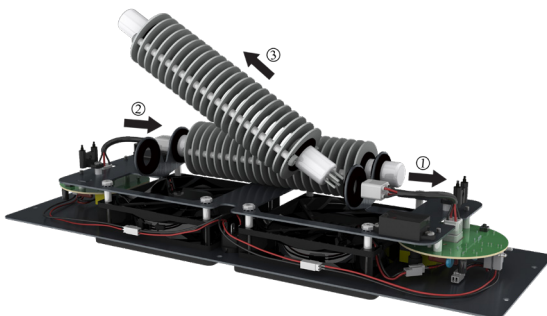
Phillips head screwdriver.

- 1 Remove the six screws that attach the base. Lift the outer shell off the base.

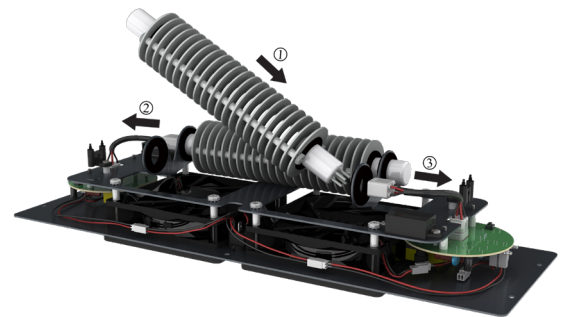


**!** UV lamp may be hot and could cause serious burns if not handled properly. Please wait until AHPCO Cell has cooled to room temperature to remove from unit.

- 2 Disconnect the lamp connector. (2) Then pull the AHPCO Cell to one side. (3) Pull AHPCO Cell up and out of the bracket.

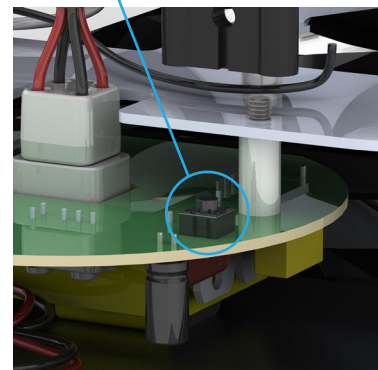


- 3 Replace with new cell. Be sure the UV lamp is completely plugged in.

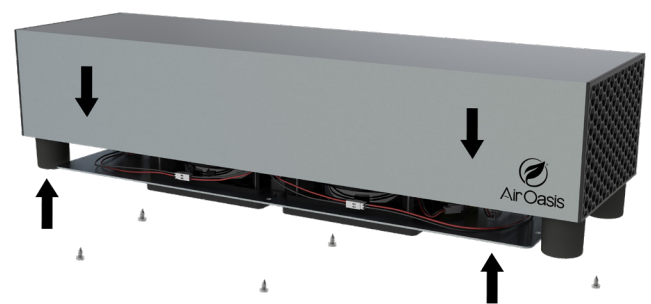


The AHPCO™ Cell should be replaced at least every two years.

- 4 Hold the reset button for 3 seconds to reset blue LED light.



- 5 Slide shell down onto base and replace screws. Cord and switch are to the back.



**!** CAUTION: Hg lamp contains mercury. Manage in accord with disposal laws. Find disposal centers at [www.earth911.org](http://www.earth911.org).