

NOTE: Before you begin please unplug the unit from its power source.

NOTE: Older models may vary slightly in appearance.

REQUIRED TOOLS:

1. Phillips head screwdriver.
2. Units manufactured prior to August of 2016 may require 5/16" socket and a torx T15 tamper proof bit.

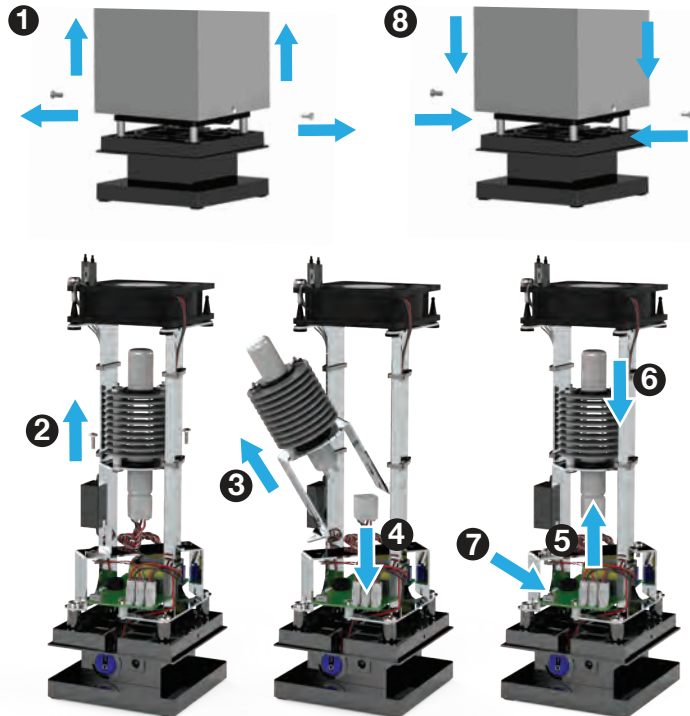
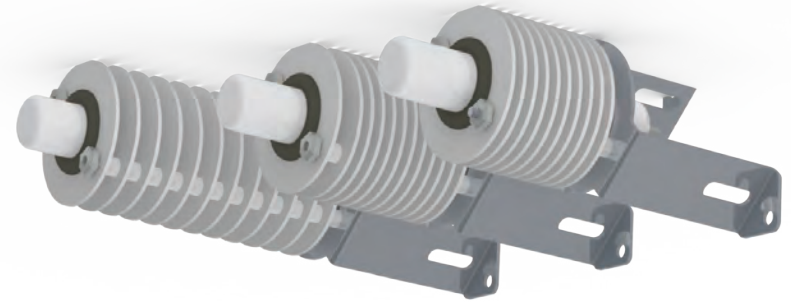
- 1 Remove the screw on the sides of the aluminum shell then remove the shell from the base of the unit.
- 2 Remove the two (2) 5/16" nuts or Phillips head screws from the base of the AHPCO Cell.
- 3 Remove AHPCO Cell.
- 4 Disconnect lamp connector.

- 5 Connect the lamp connector to the new AHPCO Cell.

NOTE: Align the pins at the bottom of the lamp with the lamp connector then firmly press to make sure the lamp is connected securely.

- 6 Install the new AHPCO® Cell using the two (2) 5/16" nuts or Phillips head screws.
- 7 Plug in the AHPCO® Cell, slide the reset switch. Your unit will beep in 2 years when it is time to replace the AHPCO® Cell. Older models might have a reset button instead of a slide switch.
- 8 Replace the shell and secure with screws.

AHPCO G3 Cell Replacement Instructions



We Care About Your Air



Copyright© 2020 Air Oasis LLC. All Rights Reserved.
3401 Airway Blvd., Amarillo, Texas 79118
800.936.1764 • www.airoasis.com

G3 AHPCO Reset Instructions

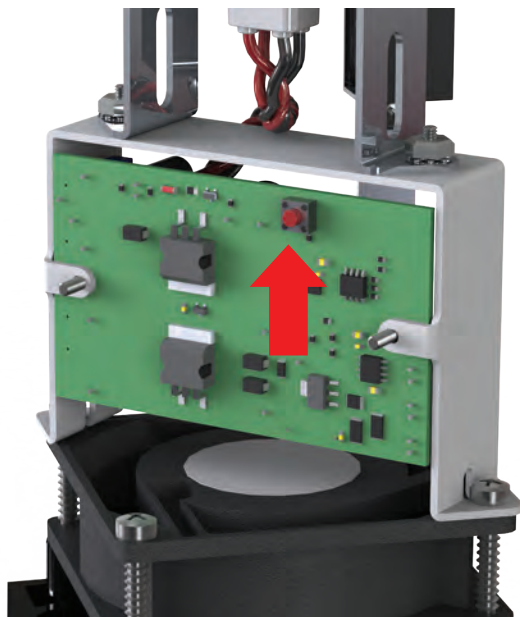
1. Unplug the old AHPCO® Cell.
2. Plug in the power cord and turn the unit on.
3. Press and hold the reset button for 3-5 seconds until it stops beeping.*

*The location of the reset button differs. Please see below.

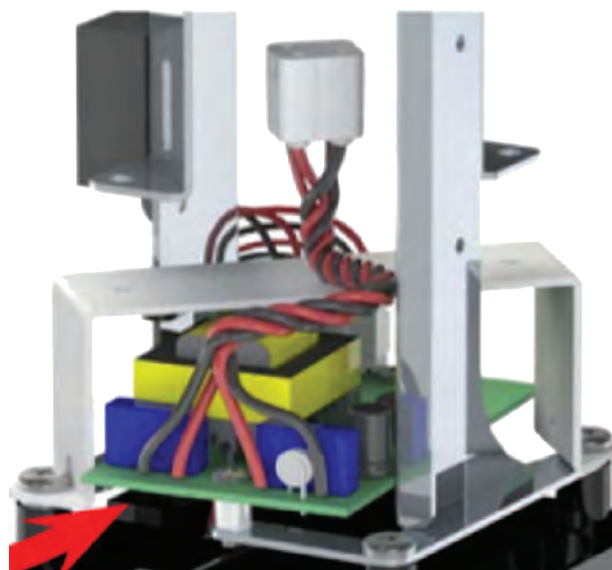


WARNING

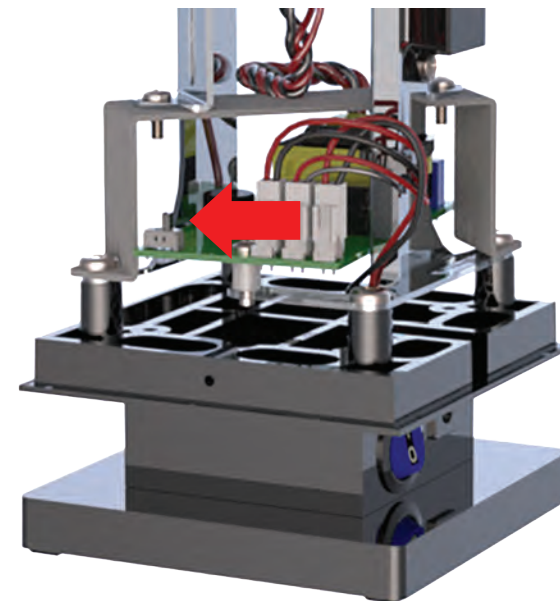
AHPCO® Cell contains Hg (Mercury) and should be disposed of according to disposal laws. Find disposal centers at www.earth911.org.



If the unit was manufactured before Nov. 2016, The red reset button will be located on the vertical circuit board.



If the unit was manufactured after Nov. 2016, the red reset button will be located on the bottom of the horizontal Circuit Board.



Units manufactured after Oct. 2018, the reset button was changed to a toggle switch. To reset this model, place the toggle switch in the opposite direction of its current position.